

# TS6202

PowerMatch™

Absorptive Band Pass Filter



## FEATURES

- 1.0 dB insertion loss
- VSWR < 1.5
- 85 dB stopband rejection
- 25 W CW power handling



## DESCRIPTION

The TS6202 is an absorptive band pass filter that is typically placed at the output of a high power transmitter to remove unwanted interference, such as harmonics. Its absorptive property provides a 50-ohm impedance match to your amplifier to minimize reflected power and maximize stopband rejection under all load conditions.

## RF PERFORMANCE

Parameter	Sym	Min	Typ	Max	Units	Comments
Impedance	$Z_0$		50		$\Omega$	
Low Frequency Stopband	$B_{STOP1}$	0		300	MHz	
3 dB Notch Bandwidth	$BW$	390		540	MHz	
High Frequency Stopband	$B_{STOP2}$	750		1750	MHz	
Passband Insertion Loss	$IL_P$		1.0	1.2	dB	
Stopband Insertion Loss	$IL_S$	75	85		dB	
Passband CW Power Handling	$P_{IN,P}$	25			W	
Stopband CW Power Handling	$P_{IN,S}$	5			W	
VSWR			1.2	1.5		

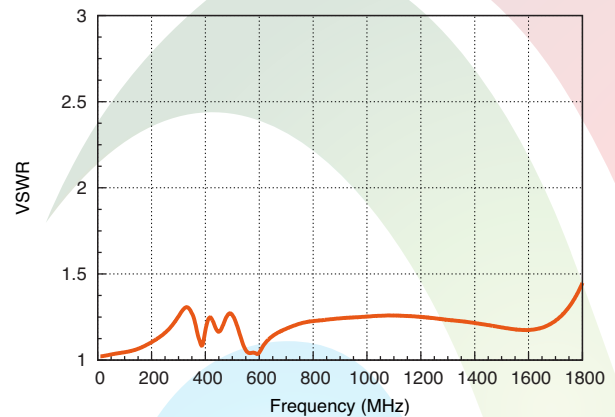
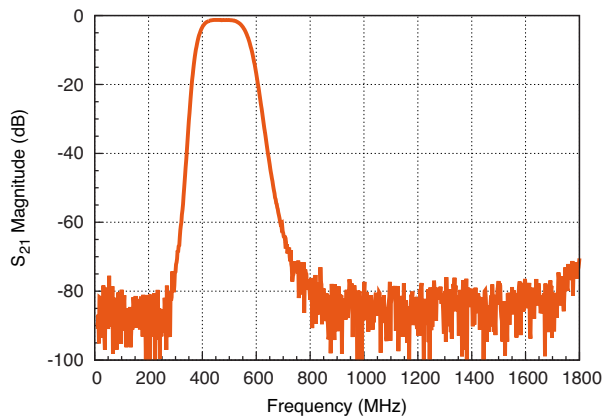


Fig. 1 : Typical measured  $S_{21}$  response

Fig. 2 : Typical measured VSWR response

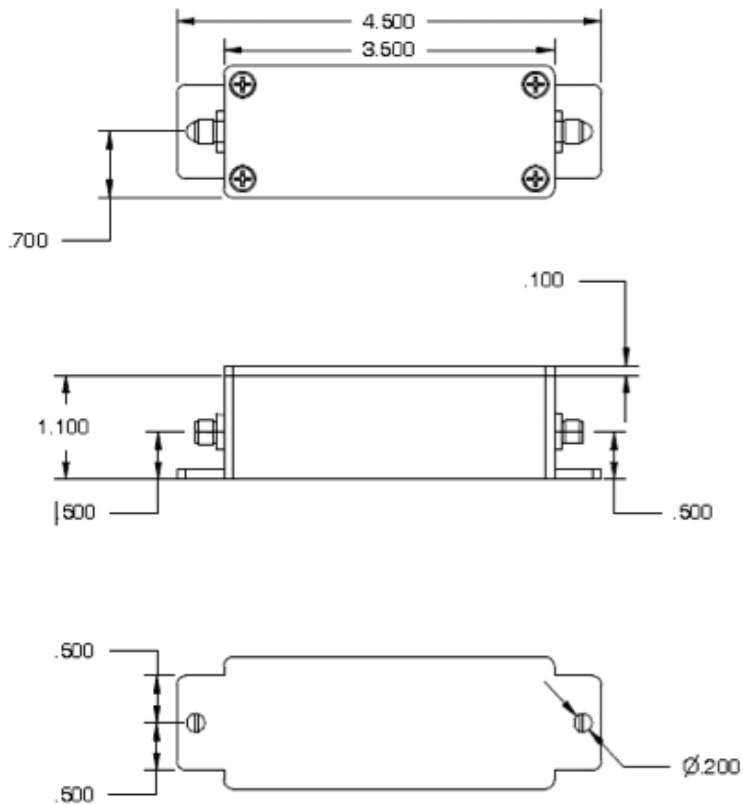
# TS6202

PowerMatch™

Absorptive Band Pass Filter



## MECHANICAL



Product is shown with SMA(f) connectors. Other connector styles are available upon request. All dimensions are in inches.