

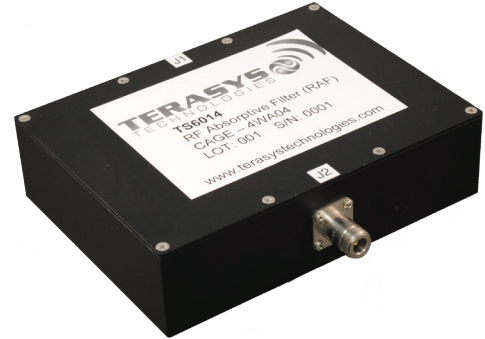
TS6014

PowerMatch™
Absorptive Notch Filter



FEATURES

- 1.25 dB insertion loss
- 45 dB stopband rejection
- VSWR < 1.5
- 250 W CW power handling



DESCRIPTION

The TS6014 is an absorptive notch filter that is typically placed at the output of a high power transmitter to remove unwanted interference at a specific frequency. Its absorptive property provides a 50-ohm impedance match to your amplifier to minimize reflected power and maximize notch depth under all load conditions.

RF PERFORMANCE

Parameter	Sym	Min	Typ	Max	Units	Comments
Impedance	Z_0		50		Ω	
3 dB Notch Bandwidth	BW	240			MHz	Typ. is 1175 - 1625 MHz.
Passband	B_{PASS}	0		2400	MHz	
Passband Insertion Loss	IL_P		1.25	1.5	dB	
Stopband Insertion Loss	IL_S	40	45		dB	
Passband CW Power Handling	$P_{IN,P}$	250			W	
Stopband CW Power Handling	$P_{IN,S}$	75			W	
VSWR			1.2	1.5		

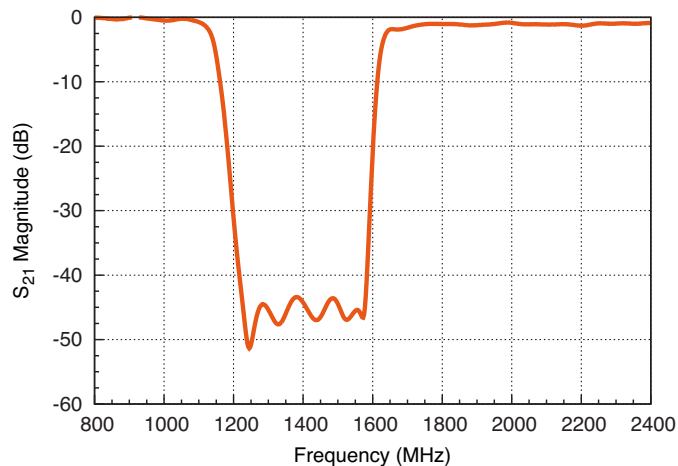


Fig. 1 : Typical measured S_{21} response

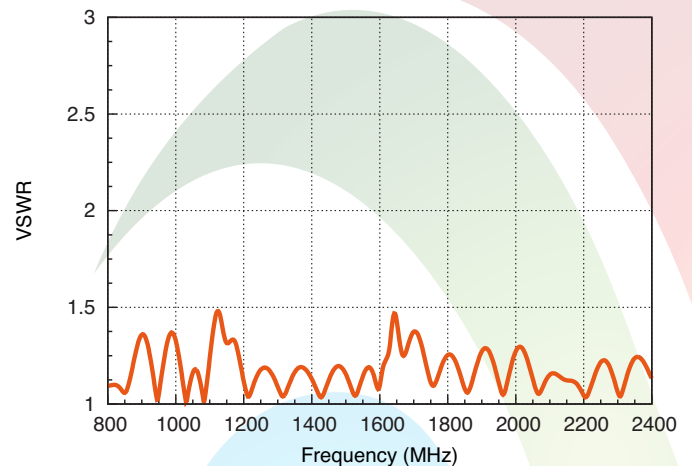


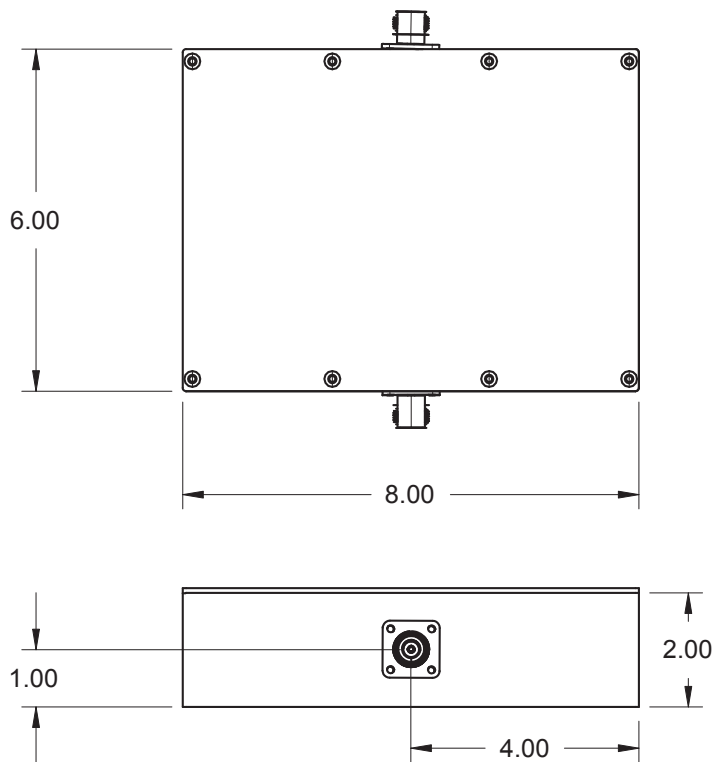
Fig. 2 : Typical measured VSWR response

TS6014

PowerMatch™
Absorptive Notch Filter



MECHANICAL



Product is shown with type-N(f) connectors. Other connector styles are available upon request. All dimensions are in inches.